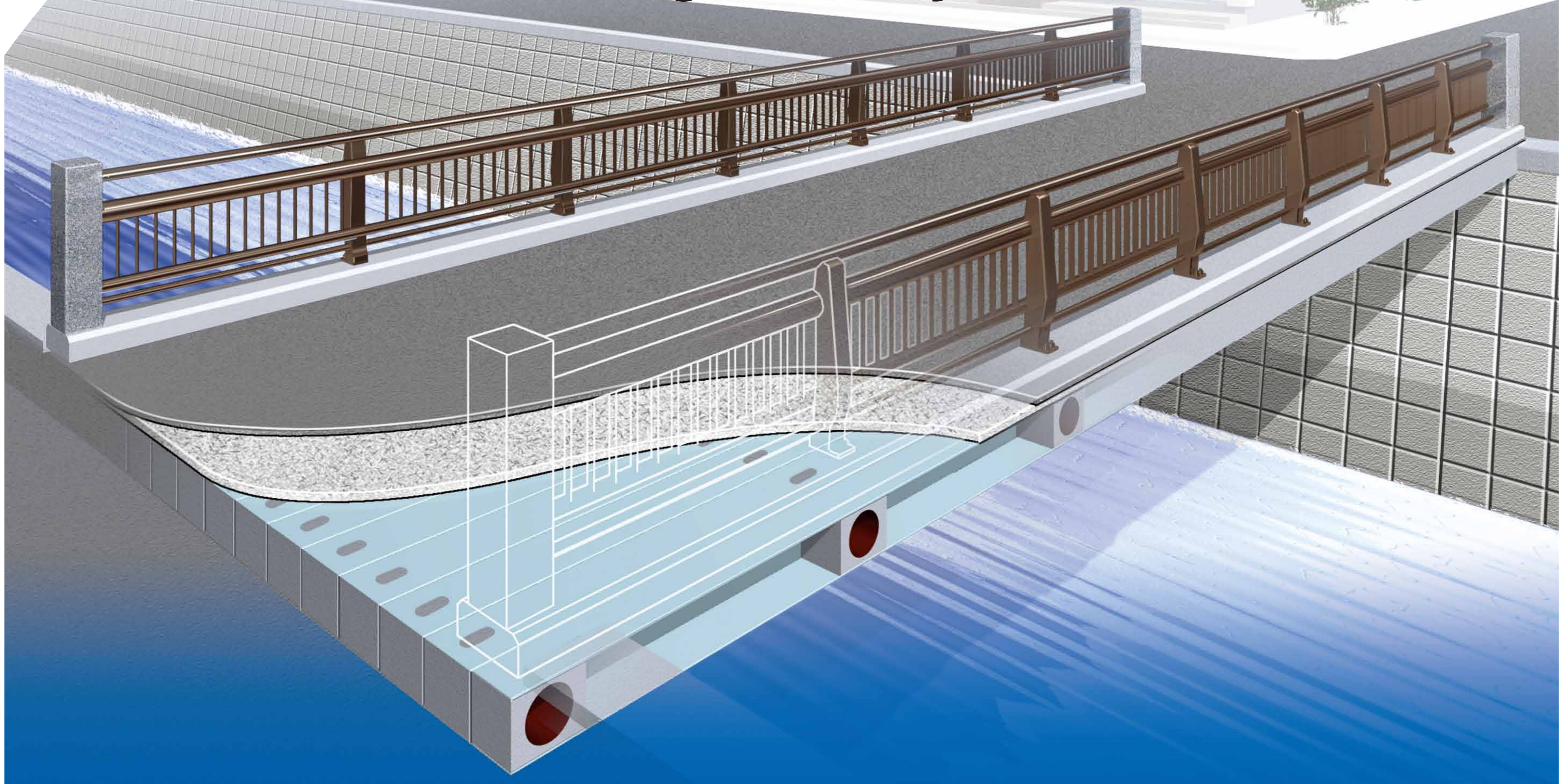
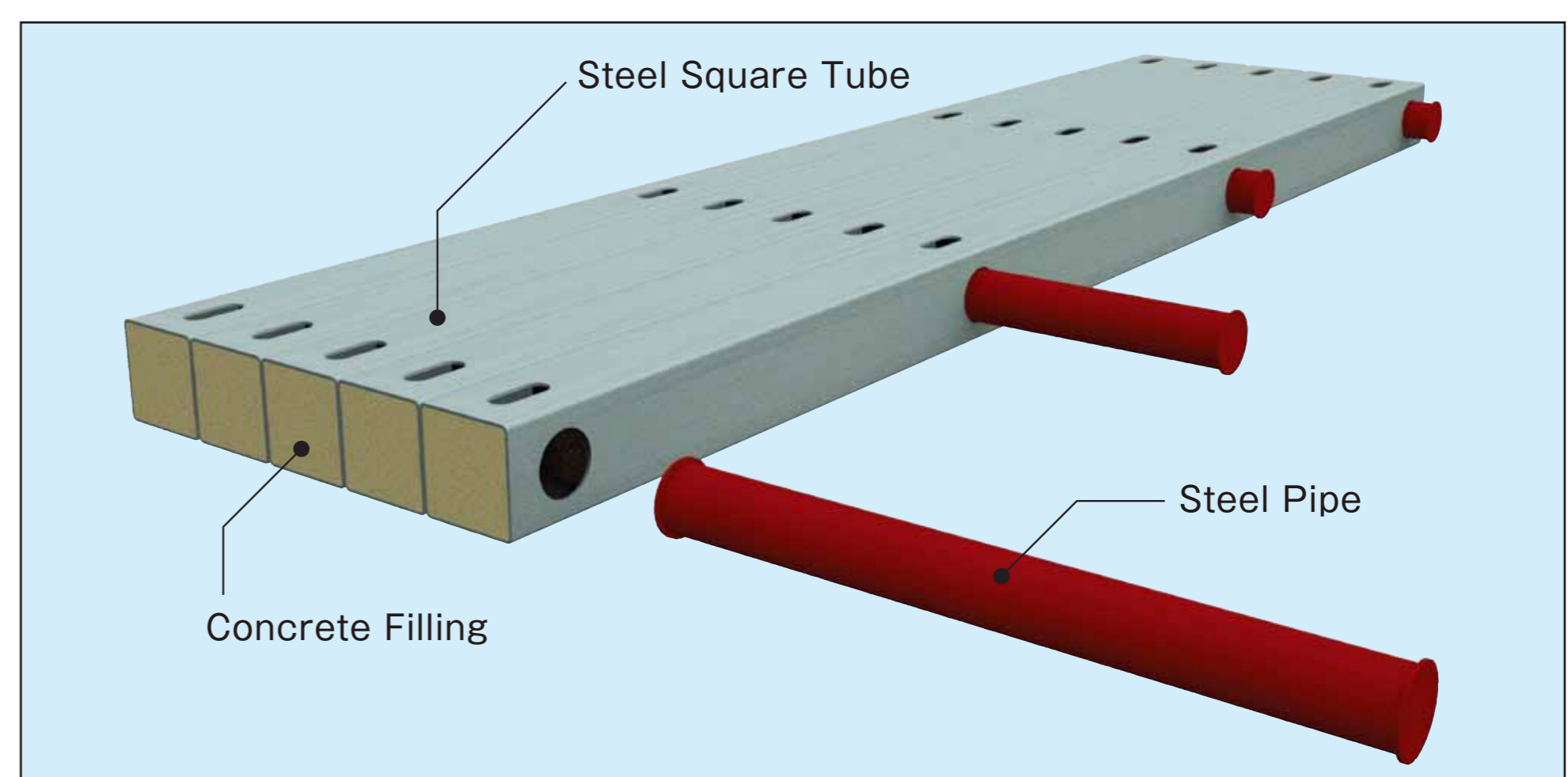


Bridge Technology for Speedy Construction, Low Price and High Quality



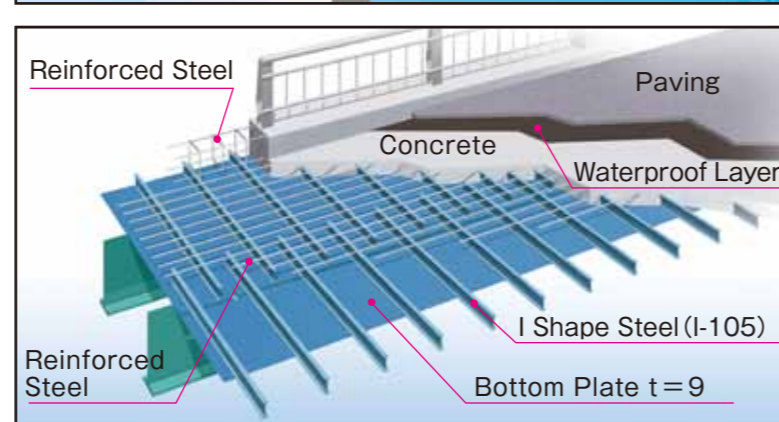
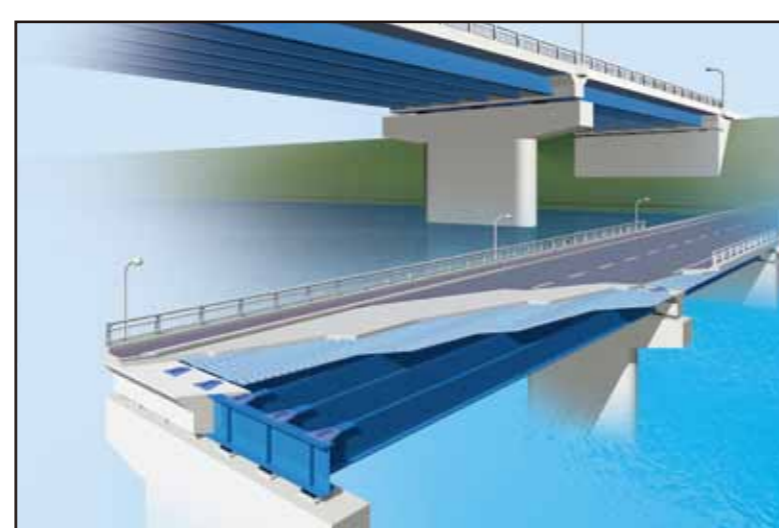
Our creative bridge technology could satisfy your requests, period, cost and quality etc..

This new type of steel bridge is very simple structure composed by Steel Square Tube for slab deck and Steel Pipe for cross beam. Good points are (1) Lower height of beam than PC deck slab bridge, (2) Installed by small crane because of Light weight, (3) Super easy and speedy construction at site, etc. Available span length is not more than 16m.



KAKUTA BRIDGE

This new type of steel bridge is unified I-Beam girder and slab deck at factory. Good points are (1) High quality, (2) Speedy construction at site, (3) Lower height of beam. Available span length is 15m ~ 40m.



Panel I-Beam Bridge

This goods composed by sandwich panel with support system would cover steel bridge etc for maintenance purpose. Good points are (1) Preventing rust by protecting water and salt from outside, (2) Using as Permanent Scaffolding.



NS Cover Plate

Contacts

- Head office OSAKI CENTER BUILDING, 5-1, Osaki 1-Chome,Shinagawa-ku, Tokyo 141-8604,Japan Tel. +81-3-6665-4330
- Manila Branch Unit 1508, Cityland Herrera Tower 98 V.A Rufino St. corner Valero St. Salcedo Village, Makati City 1200, Philippines Tel. +63-2-511-7959, +63-2-845-0749
- URL <http://www.eng.nssmc.com/english/>
- e-mail NSENGI_steel_structures@eng.nssmc.com